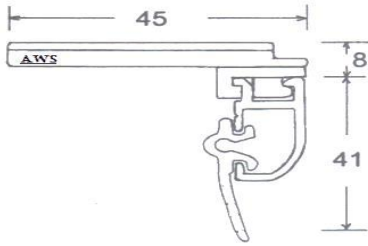


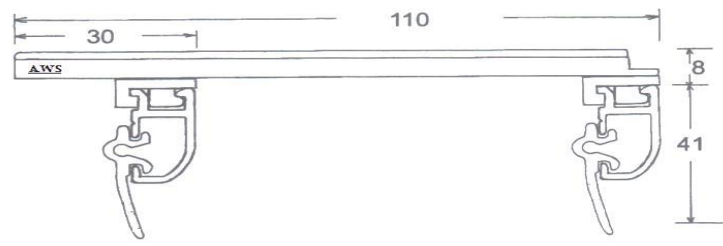
STYLETRACK



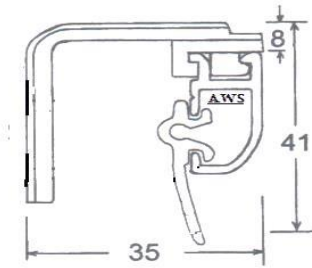
BRACKETS



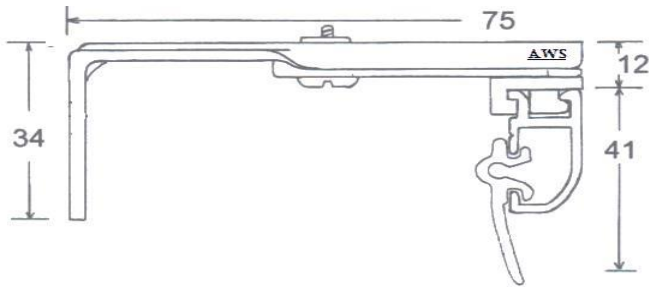
Single Top Fix



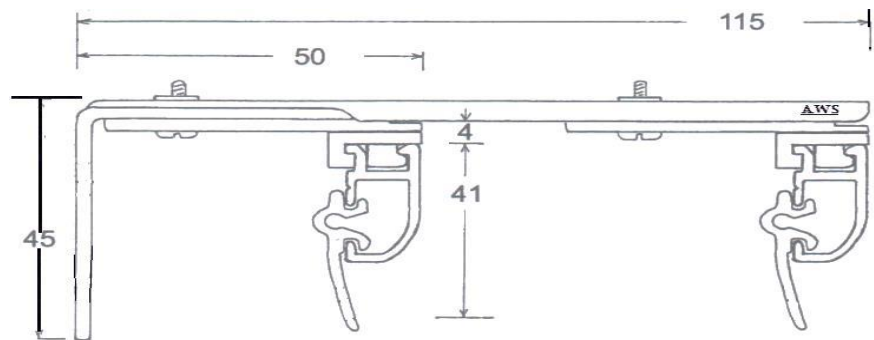
Double Top Fix



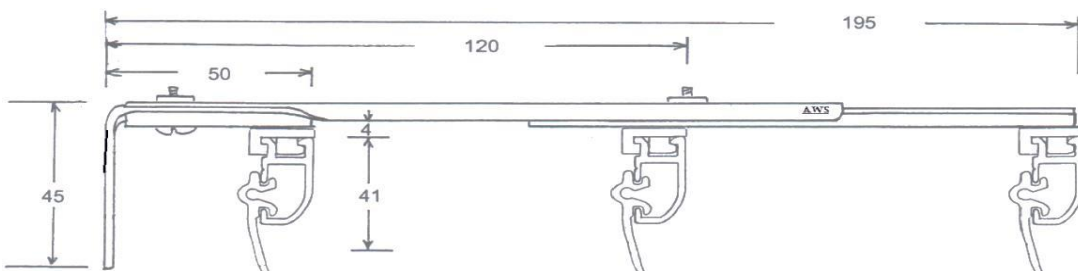
32mm Brackets



Single Face



Double Bracket

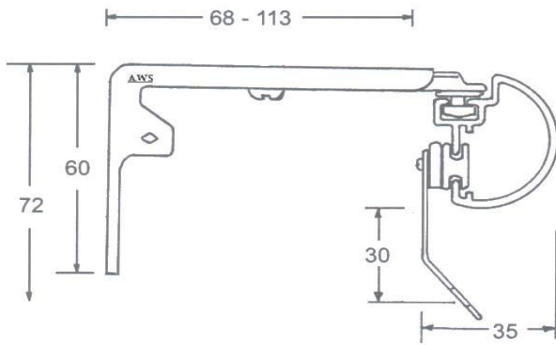


Triple Bracket

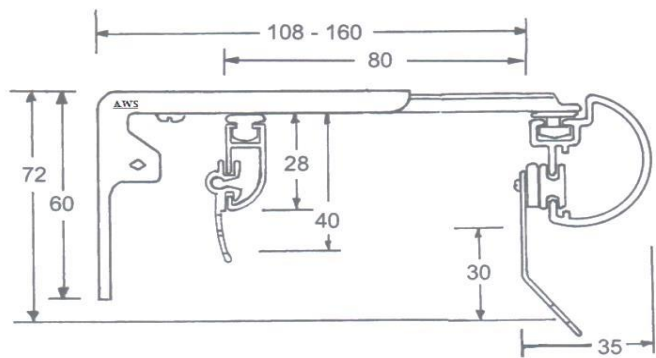
CLASSIC



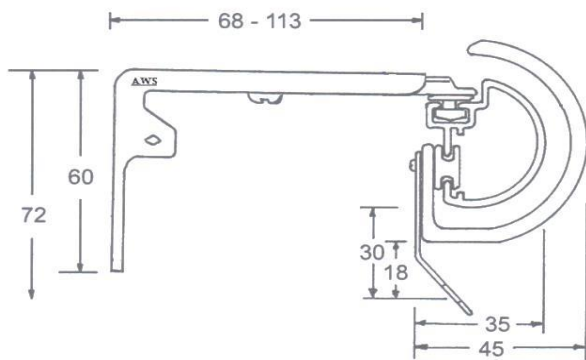
Brackets



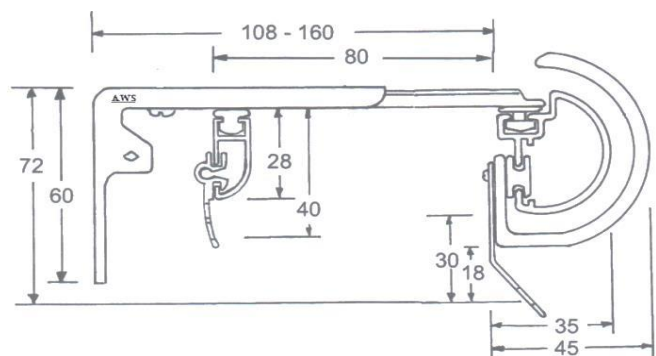
Single Bracket with Slider



Double Bracket with Slider



Single Bracket with Ring

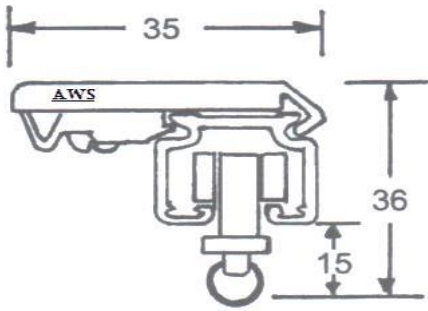


Double Bracket with Ring

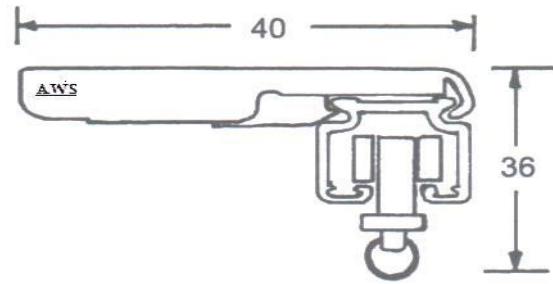
COMMERCIAL



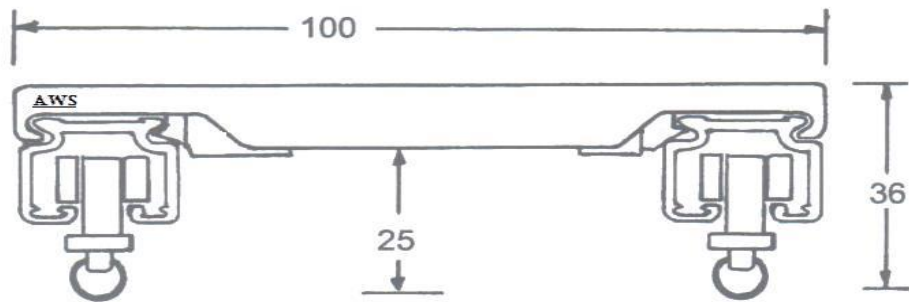
Brackets



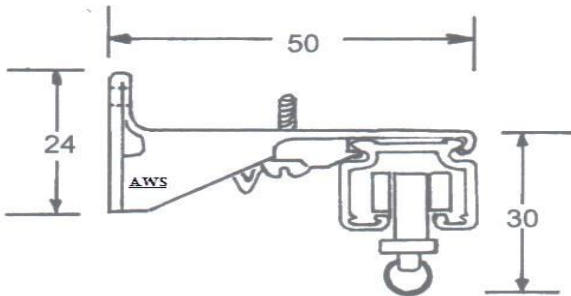
36mm Top Fix



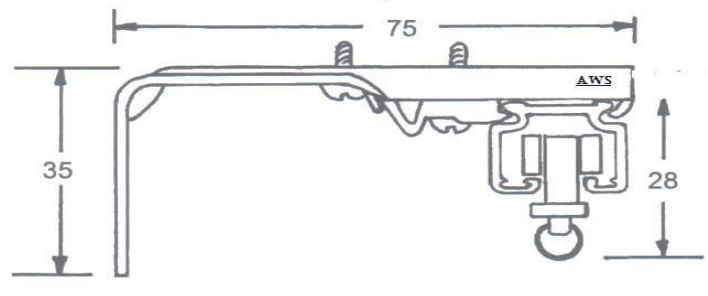
54mm Top Fix



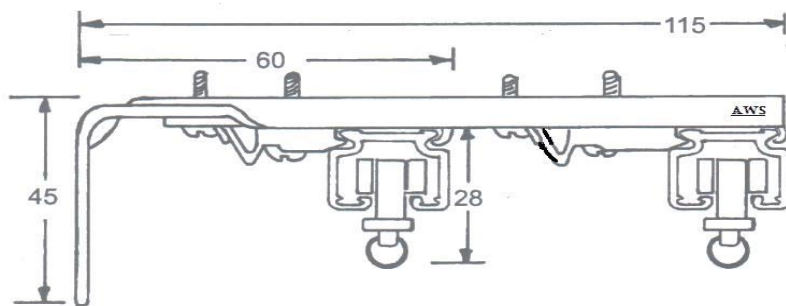
Double Top Fix



51mm Face Fix



Single Face Fix

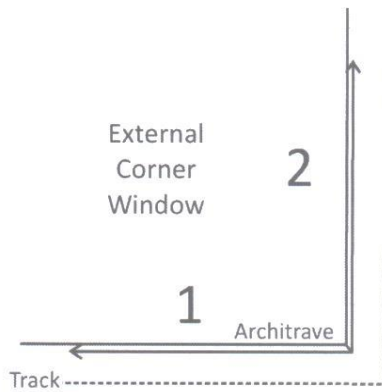
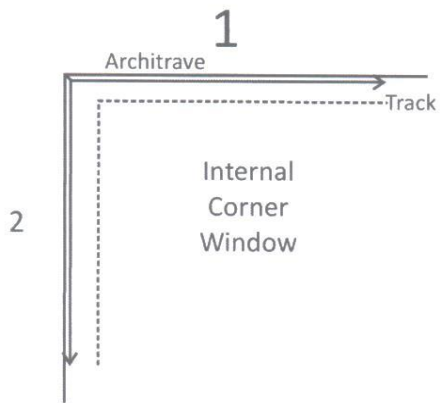


Double Face Fix

MEASURING GUIDE

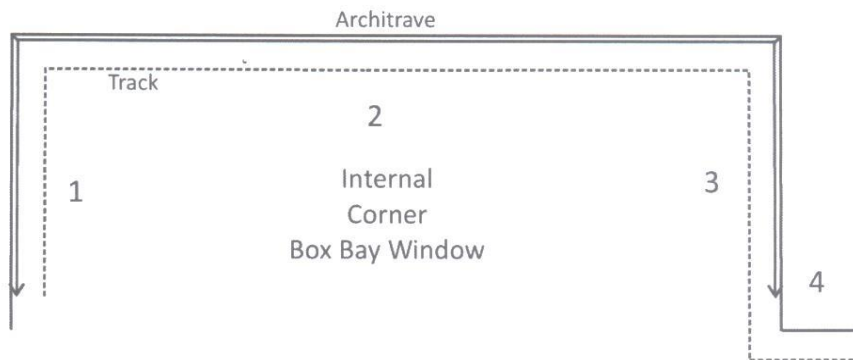
CURTAIN TRACK MEASURING GUIDE FOR CORNER OR BAY WINDOWS

NOTE- ALL TRACKS CALCULATED ON ARCHITRAVE MEASUREMENTS ONLY

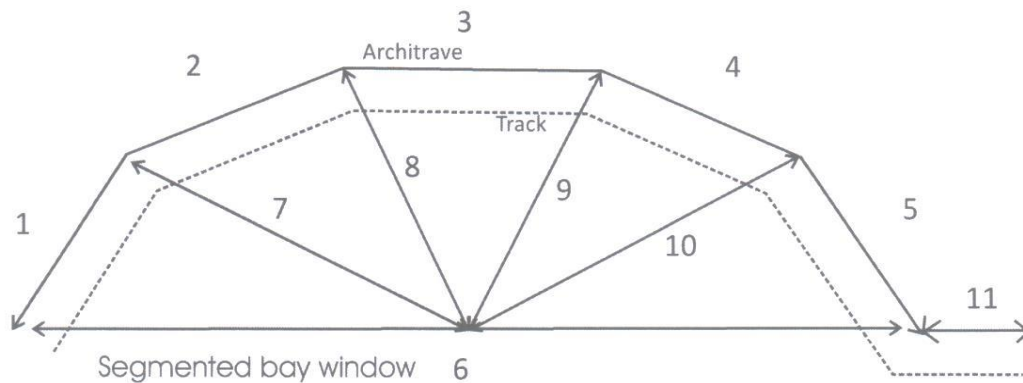
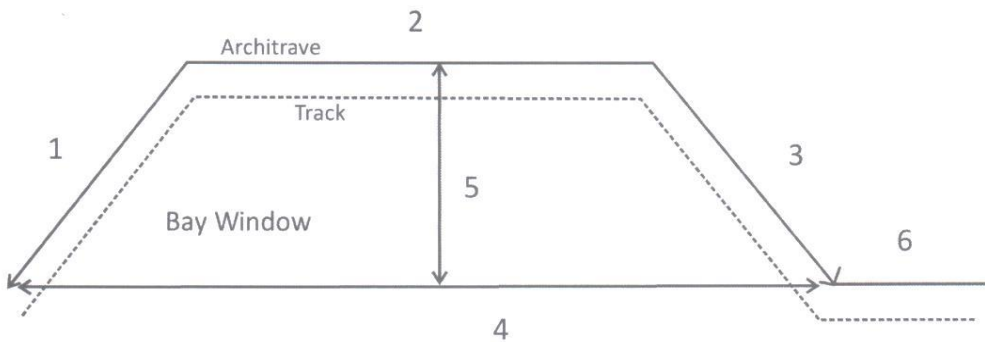


Measurements Required
1
2
State if Internal or External bend

Measurements Required
1
2
3
4 (optional)



Measurements Required
1
2
3
4
5
6 (optional)



Measurements Required
1
2
3
4
5
6
7
8
9
10
11 (optional)