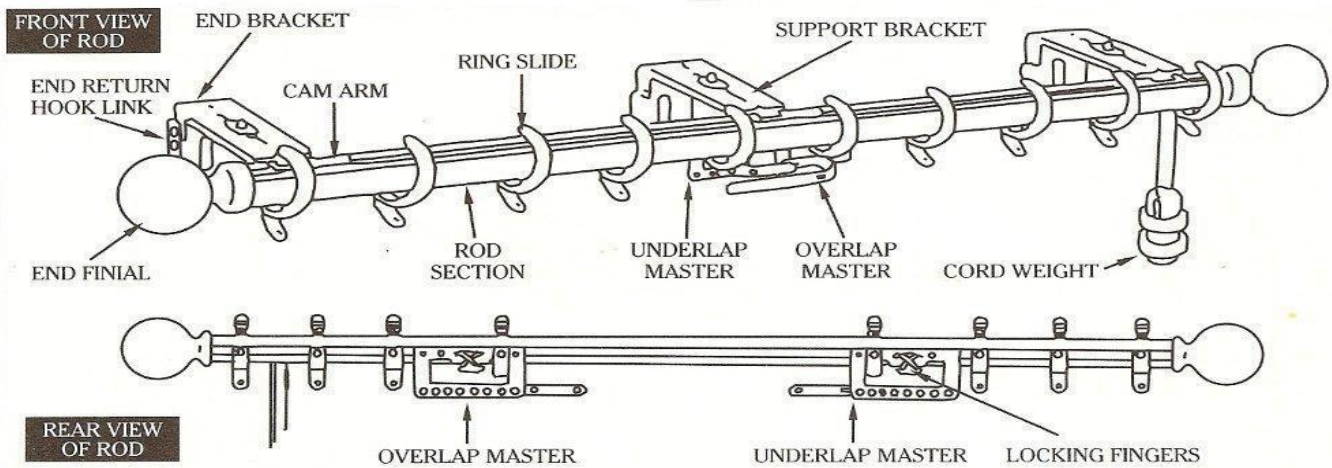
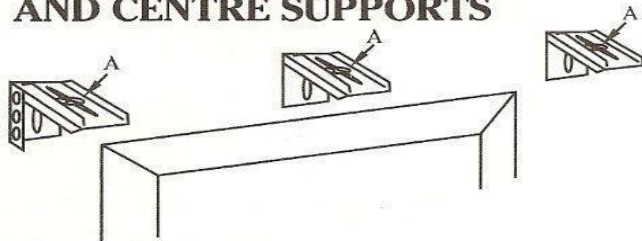


# Fitting Instructions for CLASSIC Track

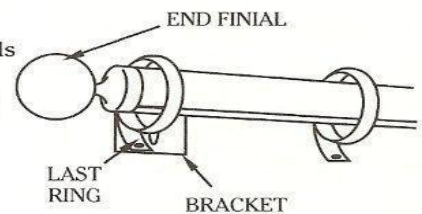
If installing into plaster or wallboard where possible try and pick up a timber stud. If unable to locate a timber stud, use a suitable wall plug or toggle for hollow walls to hold your bracket.



## INSTALL END BRACKETS AND CENTRE SUPPORTS



Place end finials on end of rod. Place last ring in front of bracket.



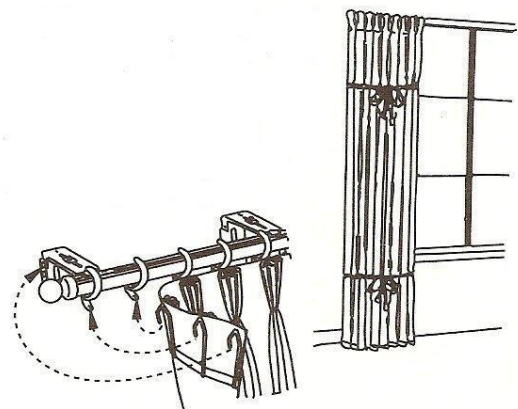
Install end brackets above and 15.2 to 45.7cm (6" to 18") to the sides of casing. Place centre support bracket equidistant between end brackets. Adjust bracket projection at screws "A".

To connect the track to bracket line up the cam to the top of the track. Once the cam is sitting the top channel of the track turn the cam to lock into place. Do this for each bracket ensuring that the far end of the rod is supported thereby avoiding starin on the first bracket. Place an end return (3 Hook) hook link on the outer side of both end brackets. For Centre close you require 2 and for a one way draw you require one, this hook is to allow you to do a return on your curtains.

**NB-** End brackets should line up with the last ring to ensure a nice square return.

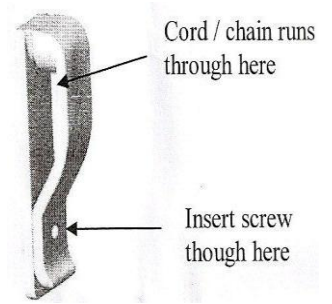
### Curtain Training

To Train your curtains, "Break" fabric between pleats by folding the material toward the window. Fold pleats together and smooth out folds down the entire length of the curtain. Tie Curtains with light cord or cloth. Leave your curtains tied for two to three days before operating.



## How to install the CORD Tension device

The tension device reduces the chance of strangulation by limiting access to the control cord or chain. When fitted properly it should hold any looped controls firmly a wall or window frame. This should make it hard for young children to fit through the controls. Clip the cord through the bottom of the tension. Position the tension device to a Solid wall elements (EG: Masonry, Timber frame and Studs behind plaster wall) should be used as a mounting base for your cord guide. Make sure the control is not twisted when mounting to the wall or frame. DO NOT stretch or pull down on the cord when installing. The cord should be tort and not stretched when installed. By over tensioning this can cause wear out your product. Hold the tension device in the correct position, as shown. Insert and secure the screw through hole. Make sure the screw is affixed into a solid surface. The cord guide shall be mounted at a height of 1600 mm or higher from the floor if the cord guide must be mounted on plasterboard.



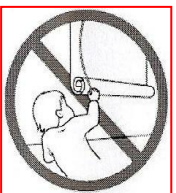
## STANDARD – INSTALLATION INSTRUCTIONS

- (a) A statement that, to avoid creating a possible strangulation hazard for children, the corded internal window covering must be installed in such a way that a loose cord cannot form a loop 220 mm or longer at a height of less than 1600 mm above floor level: and

Practical suggestions on how to install the corded internal window covering to ensure compliance with paragraph (a), Including:

- (i) A statement that a cord guide may be installed lower than 1600 mm above floor level if the cord is sufficiently secured or tensioned to prevent a loop 220 mm or longer from being formed: and
- (ii) A statement that if a cord guide is installed lower than 1600 mm above floor level it must be designed to prevent a child from being able to remove the cord: and
- (iii) A statement that if a cleat is used to secure the cord it must be at least 1600 mm above floor level because a child is capable of unwinding a cord from a cleat.

## WARNING



Young children can STRANGLE in cord loops. They can also wrap cords around their necks and STRANGLE. Always keep cords out of children's reach. Move cots, play pens, and other furniture away from cords. Children can climb furniture to get to cords. Attach tension device to walls and floors. This can prevent from pulling cords around their necks